



US00D490654S

(12) **United States Design Patent** (10) **Patent No.:** **US D490,654 S**  
**Allen et al.** (45) **Date of Patent:** **\*\* Jun. 1, 2004**

(54) **CUP**  
 (75) **Inventors:** **Monty L. Allen**, Dallas, GA (US);  
**Kenneth C. Kreafle**, Atlanta, GA (US);  
**Leon J. Scott, III**, Atlanta, GA (US)

(73) **Assignee:** **In Zone, Inc.**, Austell, GA (US)

(\*\*) **Term:** **14 Years**

(21) **Appl. No.:** **29/171,022**

(22) **Filed:** **Nov. 14, 2002**

(51) **LOC (7) Cl.** ..... **07-01**

(52) **U.S. Cl.** ..... **D7/515; D7/523; D7/532;**  
**D7/313**

(58) **Field of Search** ..... **D7/536, 533, 523,**  
**D7/509, 313, 301, 515; 222/146.6, 144.5,**  
**469; D9/325; D20/205; D34/39; 220/592.19;**  
**217/75**

(56) **References Cited**

**U.S. PATENT DOCUMENTS**

D7,342 S	*	3/1874	Bakewell, Jr.	.....	D7/515
D54,363 S	*	2/1920	Richardson et al.	.....	D7/301
D167,578 S	*	8/1952	Lipson	.....	D34/39
D248,658 S	*	7/1978	Buffington	.....	D7/301
D309,847 S	*	8/1990	Scheurer	.....	D7/606
D310,781 S		9/1990	Scott, III	.....	D9/398

D335,744 S	*	5/1993	Small et al.	.....	D34/39
D344,204 S	*	2/1994	Dixon	.....	D7/301
D377,738 S	*	2/1997	Thorne	.....	D7/536
D445,001 S	*	7/2001	Lin	.....	D7/510
D454,467 S	*	3/2002	Magernans et al.	.....	D7/313
D459,139 S	*	6/2002	Vlooswijk et al.	.....	D7/313

\* cited by examiner

*Primary Examiner*—M. N. Pandozzi  
 (74) *Attorney, Agent, or Firm*—Wong, Cabello, Lutsch,  
 Rutherford & Bruccoleri, L.L.P.

(57) **CLAIM**

The ornamental design for a cup, as shown and described.

**DESCRIPTION**

FIG. 1 is a perspective view of a cup showing a new design.  
 FIG. 2 is a right side elevation view thereof.  
 FIG. 3 is a left side elevation view thereof.  
 FIG. 4 is a top plan view thereof.  
 FIG. 5 is a back elevation view thereof.  
 FIG. 6 is a front elevation view thereof; and,  
 FIG. 7 is a bottom plan view thereof.  
 The broken line environmental showing is for illustrative purposes only and forms no part of the claimed design. The broken lines immediately adjacent to the shaded areas represent unclaimed boundaries of the design.

**1 Claim, 2 Drawing Sheets**

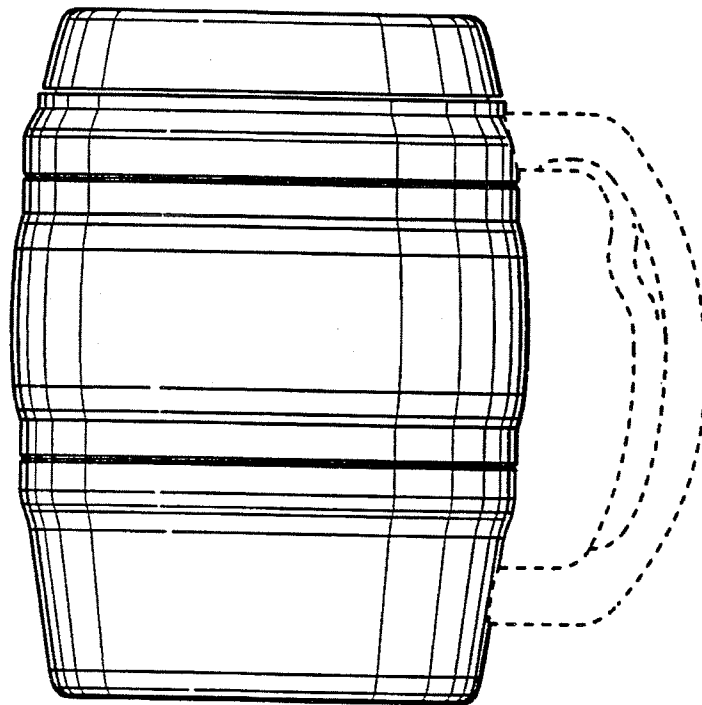


FIG. 1

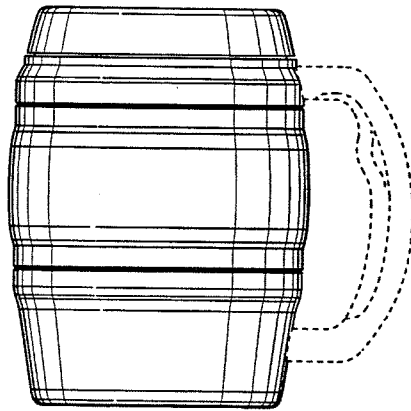
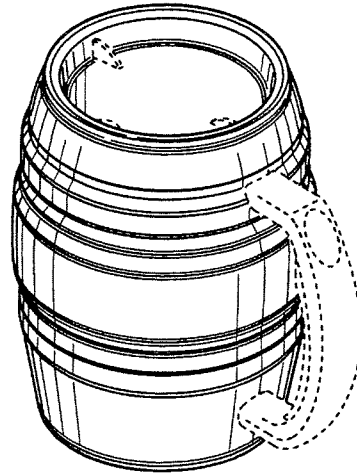


FIG. 2

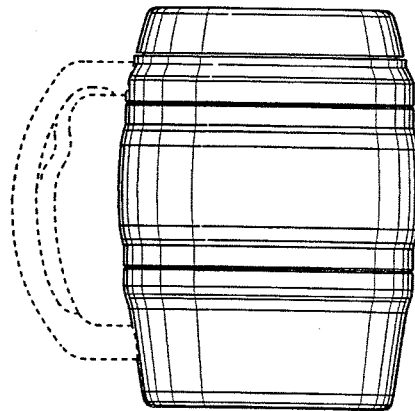


FIG. 3

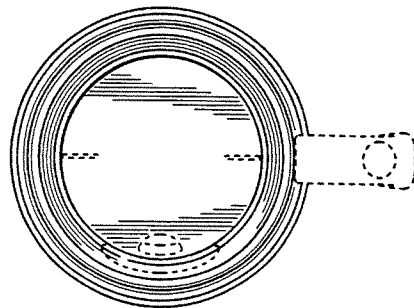
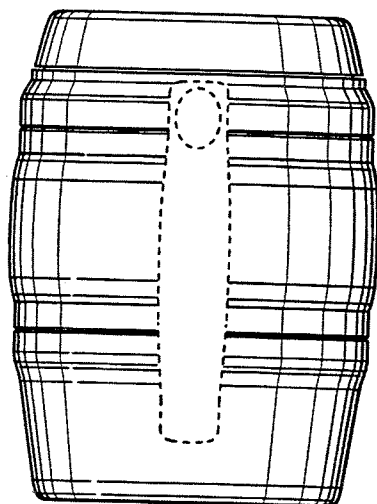
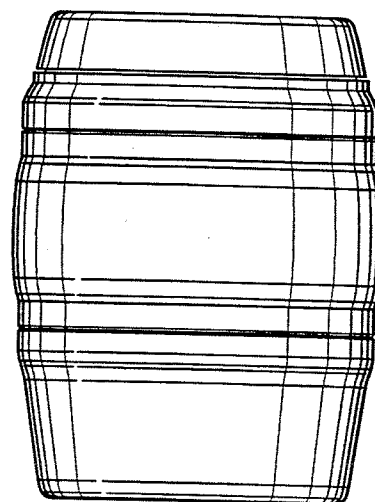


FIG. 4

**FIG. 5**



**FIG. 6**



**FIG. 7**

